

MIRA 2

Product Code DT. DT.SD3036 (add suffix see below)

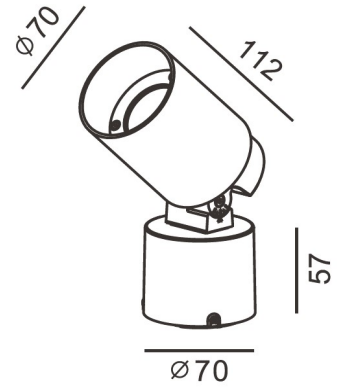
IP65 Zone 2 **CE** **LED** IEE : A+ EN 60598.

DESCRIPTION / Round surface mounted high power LED spotlight. Adjustable 90 deg tilt. IP rated. Integral driver.

WHY USE THIS: Contemporary out-door ground spot, glare free high power. Suitable for general landscape lighting including trees.

Dimensions (mm)
70 dia x 112 L.

Cut-out (mm)
N/A



material light fixture Die cast aluminium with silicone gaskets

colours & finish/ (suffix) Black - 10 Matt Anodised

light source & voltage options
(PLEASE CONTACT US FOR ALTERNATIVE SOURCES)

a) 10w LED 24 deg (700lms) 240v
b) 10w LED 15 deg (700lms) 240v
c)
d)

colour temperature /(suffix) **3000K**
CRI (colour render) /(suffix) 90
MacAdam 3

Controls options /(suffix) on / off

Optional Accessories Honeycomb
Etched glass

AV. Weight (kg) 1

Emergency Available? No

Special Notes **240v fitting (includes integral on / off driver)**
Supplied with spike

technical performance

height(m)	Ø(m)	lux levels
1m	0.29m	781lx (max)
2m	0.58m	195lx (max)
3m	0.87m	86lx (max)
4m	1.16m	49lx (max)

CITIZEN
contact Detail lighting for all .ies files



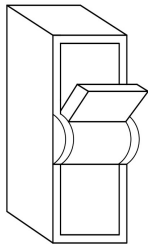
TECH NOTES; Check the luminaires power requirements carefully as it is not possible to determine this from the cable type, thickness and colour. If drivers are required they are sold separately and are not pre wired. Connecting low voltage lights to mains power will result in irreparable damage to the fitting.

WARNINGS - all enclosures and connections for external lights must be at least IP65 - allow adequate drainage around fittings.

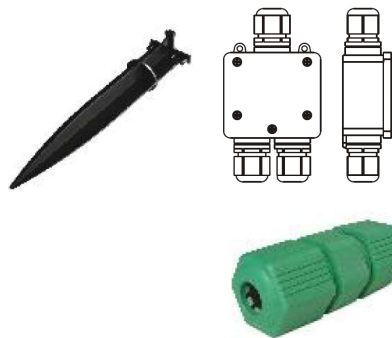
OUTDOOR FIXTURES REQUIRE CORRECT IP CONNECTION

WARNING: Check fitting type to ascertain correct wiring type (series or parallel) incorrect wiring will damage the fittings. Please note if disconnecting power to the driver then wait up to 30 mins for retained current in the driver to discharge. Also observe that driver should not be powered unless all the LEDs are fitted correctly in a circuit.

1 Turn off power!

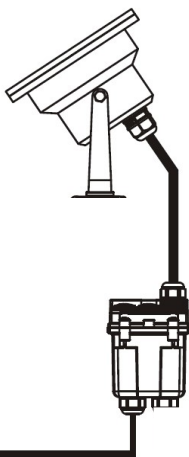


2

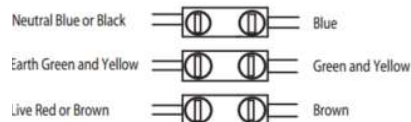


1) Always ensure mains power is isolated prior to working on any lighting installation. **REDUCE CABLE SIZE IN ORDER TO MAKE SECURE CONNECTION**

3



MAINS →



OUTDOOR FIXTURES REQUIRE CORRECT IP CONNECTION. CONFIRM SERIES OR PARALLEL WIRING?



2) Site fixing spike; If fitting is being installed in external area ensure there is adequate drainage. Prepare incoming cable with appropriate water-proof connector

3) **REDUCE CABLE SIZE IN ORDER TO MAKE SECURE CONNECTION.** connections for external lights must be at least IP65