

KESTREL Surface Spot

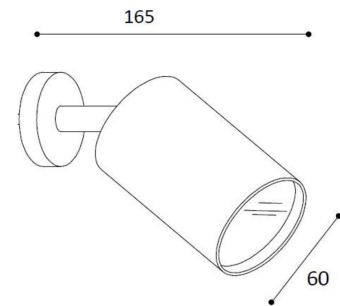
Product code DT.KES316/ (add suffix see below)

IP65 Zone 2 **CE** **LED** IEE : A+ EN 60598.

DESCRIPTION / Round surface mounted LED spotlight. Adjustable 45 deg tilt, dimmable. IP rated

WHY USE THIS: Classic out-door ground spot, glare free. Suitable for genral landscape lighting, (remote driver).

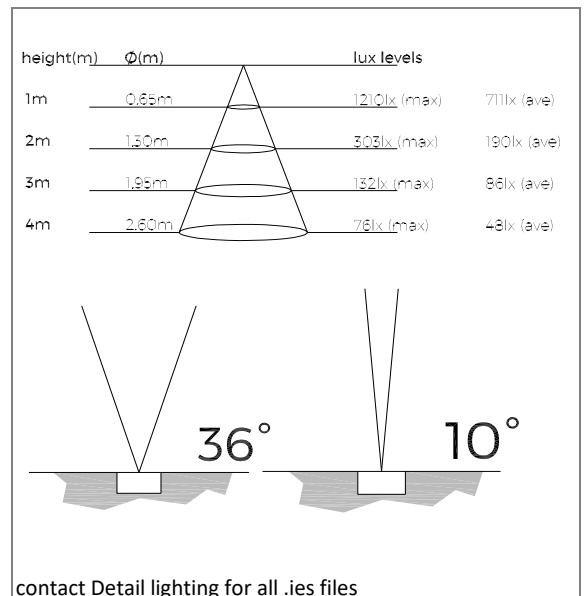
Dimensions (mm)
Projection 165x 60 dia
Cut-out (mm)
N/A



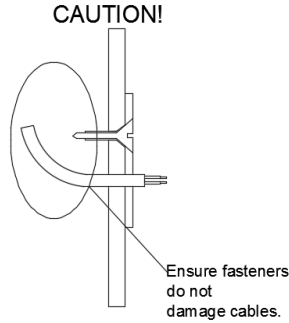
material light fixture	Stainless Steel 316
colours & finish/ (suffix)	Brushed Stainless Steel or copper
light source & voltage options (PLEASE CONTACT US FOR ALTERNATIVE SOURCES)	a) 7w GU10 LED 36 deg (345 lms) 240v b) 7w GU10 LED 10 deg (345 lms) 240v c) d)
colour temperature /(suffix)	2700K / 3000K
CRI (colour render) /(suffix)	83 90+
MacAdam	<3
Controls options /(suffix)	Phase Dimming
Optional Accessories	Honeycomb Etched glass
AV. Weight (kg)	0.5
Emergency Available?	No
Special Notes	240v fitting No driver required. Ground spike version available DT.Cyclops

SORAA

technical performance



INSTALLATION

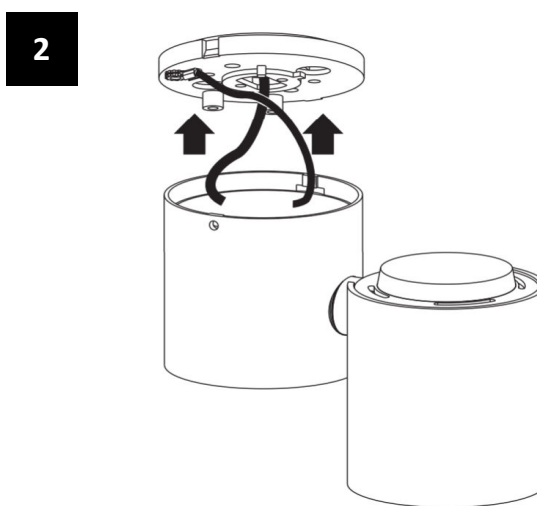
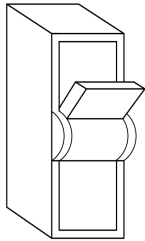


TECH NOTES: Ensure any mounting screws do not pierce cable insulation.
REDUCE CABLE SIZE SUITABLE TO FIT THE TERMINAL BLOCK.

WARNING: Ensure power is isolated before undertaking any electrical work. Check fitting type to ascertain correct wiring type if low voltage fittings used (series or parallel) as incorrect wiring will damage the fittings

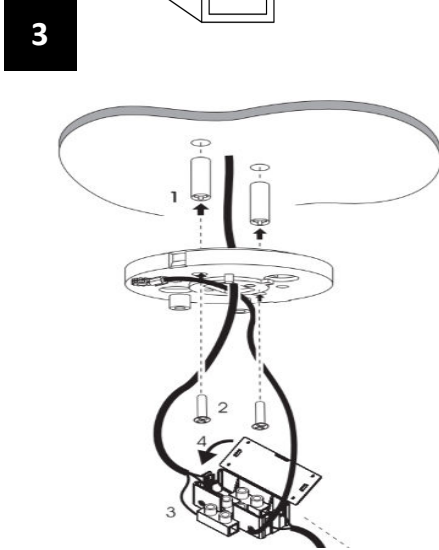
If in doubt about any electrical connection, or selection of suitable lamps or drivers (where required) please consult a qualified electrician. Any fitting used in external or bathroom locations should be IP rated as required according to the zone in which they are located. In such instances all connections should also be of suitable type, as should enclosures for drivers.

1 Turn off power!

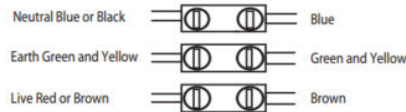


1) Isolate power prior to fitting. Establish location for remote driver if applicable.

2) screw mounting plate to wall / ceiling securely



3) connect wiring to terminal block. REDUCE CABLE SIZE SUITABLE TO FIT THE TERMINAL BLOCK



4) insert lamp units into lamp holders and insert into body where needed.

OUTDOOR FIXTURES REQUIRE CORRECT IP CONNECTION