

Fritz

Code : DT.2051

CE IP65 CRI>90 <sup>3</sup>SDCM

## Description

Round surface mounted LED spotlight. Adjustable 90 deg tilt, dimmable. IP rated. Supplied with anti-glare cowl, honeycomb & 2m lead

## Materials

Die-cast aluminium,

## Colour finish

Anthracite grey or -RAL

Dims (mm) 55 Ø x 165 (L)

Weight (KG) 1.5

## Light Source

Option A. GU10 7w LED (560 lms) 240v 12°, 24°, 36

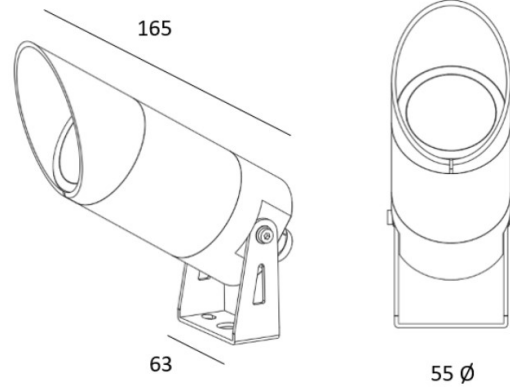
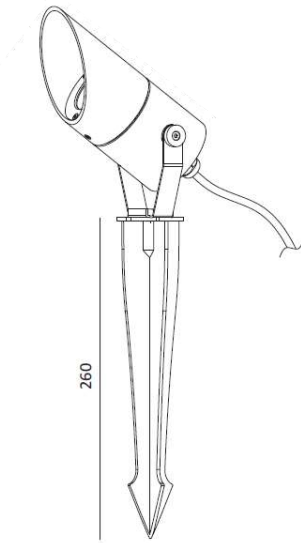
Option B. 9w LED (800 lms) 200 mA 45v 18° 24° 36° 48° 60°

CCT available 2700K 3000K 4000K

Dimming: Mains, DALI, Casambi  allows dimming control of each fixture

Special Notes: Option B. requires remote driver box  
Supplied with ground fixing spike

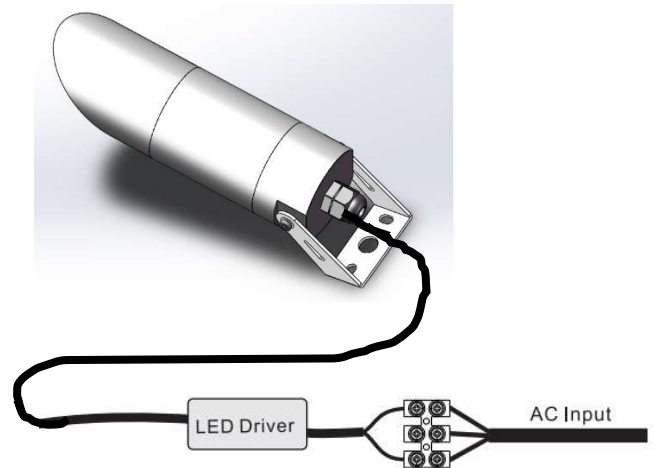




Supplied with ground spike & honeycomb

Light Source A.

Light Source B.



REDUCE CABLE SIZE IN ORDER TO MAKE SECURE CONNECTION

WARNINGS - all enclosures and fittings for external lights must be at least IP65