

FRITZ 1

Product Code DT. S2813B

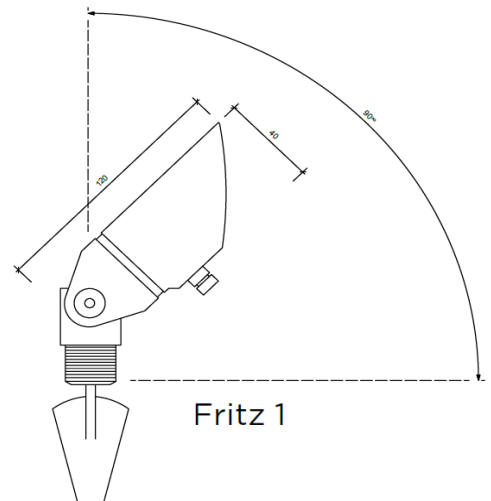
IP66 **CE** **LED** IEE : A+ EN 60598.

DESCRIPTION / Round surface mounted high power LED spotlight. Adjustable 90 deg tilt. IP rated.

WHY USE THIS: Classic outdoor ground spot, glare free. Suitable for genral landscape lighting, (remote driver).

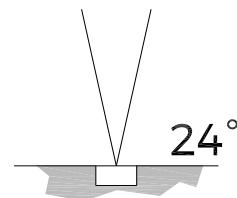
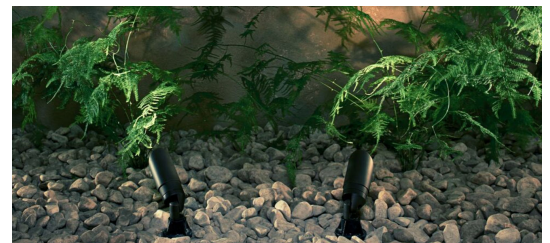
Dimensions (mm)
Dia 40 x 120

Cut-out (mm)
N/A



material light fixture	Solid brass construction
colours & finish/ (suffix)	Antique Bronze (other finishes on request)
light source & voltage options (PLEASE CONTACT US FOR ALTERNATIVE SOURCES)	a) 4w MR11 (300 lms) 12v G4 b) c) d)
colour temperature /(suffix) CRI (colour render) /(suffix) MacAdam	3000K 83 <3
Controls options /(suffix)	Mains dimming
Optional Accessories	
AV. Weight (kg)	0.6
Emergency Available?	No
Special Notes	Supplied with 12v driver and IP rated box. Includes LED module. Supplied with protected lead and spike

technical performance



contact Detail lighting for all .ies files **OSRAM**
Opto Semiconductors



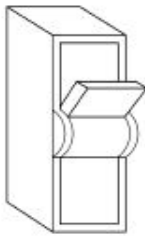
TECH NOTES; Check the luminaires power requirements carefully as it is not possible to determine this from the cable type, thickness and colour. If drivers are required they are sold separately and are not pre wired. Connecting low voltage lights to mains power will result in irreparable damage to the fitting.

WARNINGS - all enclosures and connections for external lights must be at least IP65 - allow adequate drainage around fittings. To avoid capillary action.

OUTDOOR FIXTURES REQUIRE CORRECT IP CONNECTION

WARNING: Check fitting type to ascertain correct wiring type (series or parallel) incorrect wiring will damage the fittings. Please note if disconnecting power to the driver then wait up to 30 mins for retained current in the driver to discharge. Also observe that driver should not be powered unless all the LEDs are fitted correctly in a circuit.

1 Turn off power!



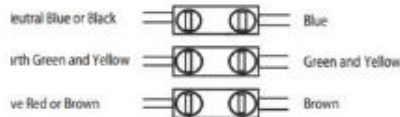
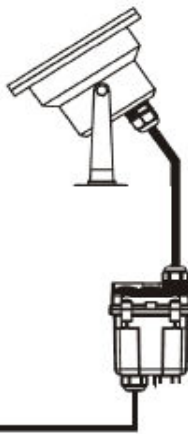
2



1) Always ensure mains power is isolated prior to working on any lighting installation.

2) Site fixing spike; if fitting is being installed in external area ensure there is adequate drainage. Prepare incoming cable with appropriate water-proof connector

3



OUTDOOR FIXTURES REQUIRE CORRECT IP CONNECTION

3) REDUCE CABLE SIZE IN ORDER TO MAKE SECURE CONNECTION. connections for external lights must be at least IP65

CONFIRM IF SERIES OR PARALLEL WIRING NEEDED