

Cursa Quadro Mini Product Code DT OD14706608A

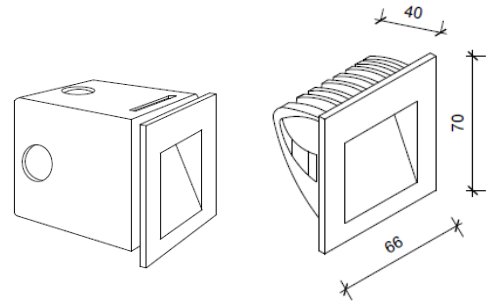
IP65 Zone 2 **CE** **LED** IEE : A+ EN 60598.

DESCRIPTION / Square wall recessed low level LED. IP rated

Dimensions (mm)
h70 x 65

WHY USE THIS: Classic stainless steel glare free. Suitable for step-washing and general orientation lighting, including wet areas.

Cut-out (mm)
63 x 63



material light fixture Stainless Steel 316 marine grade

colours & finish/ (suffix) Brushed Stainless Steel

light source & voltage options
a) 3w 80deg 350mA 8.57v
b)
c)
d)
(PLEASE CONTACT US FOR ALTERNATIVE SOURCES)

colour temperature /(suffix) **2700k / 3000K**
CRI (colour render) /(suffix) 83
MacAdam <3

Controls options /(suffix) Phase dimming
DALI
0-10V

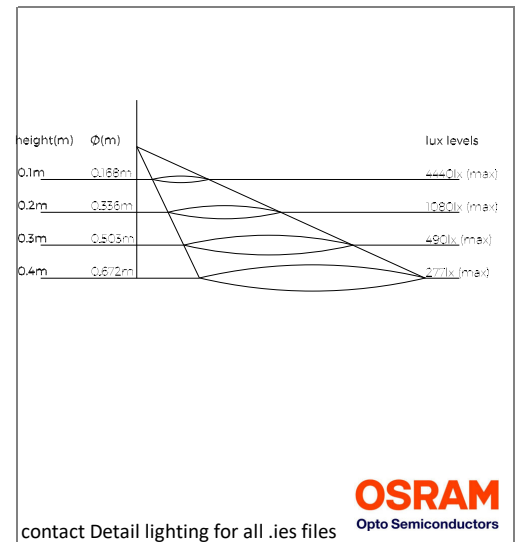
Optional Accessories

AV. Weight (kg) 0.35

Emergency Available? No

Special Notes MINIMUM LOAD MUST BE OBSERVED FOR DIMMING. Wire in series. Supplied with steel recessing box

technical performance



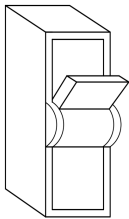


TECH NOTES; Check the luminaire's power requirements carefully as it is not possible to determine this from the cable type, thickness and colour. If drivers are required they are sold separately and are not pre-wired. Connecting low voltage lights to mains power will result in irreparable damage to the fitting.

WARNINGS - all enclosures and fittings for external lights must be at least IP65 - allow adequate drainage around fittings.

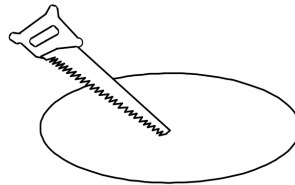
WARNING: Check fitting type to ascertain correct wiring type (series or parallel) incorrect wiring will damage the fittings. Please note if disconnecting power to the driver then wait up to 30 mins for retained current in the driver to discharge. Also observe that driver should not be powered unless all the LEDs are fitted correctly in a circuit.

1 Turn off power!

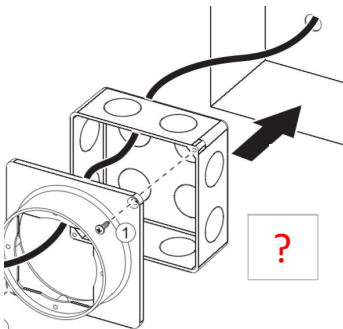


2

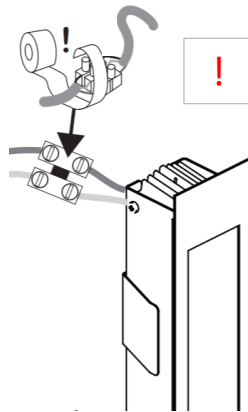
REMOTE DRIVER? SERIES OR PARALLEL?



3



4



1) Always ensure mains power is isolated prior to working on any lighting installation. **REDUCE CABLE SIZE IN ORDER TO MAKE SECURE CONNECTION**

2) cut suitable hole for fitting or recess back box (if used). If fitting is being installed in externally it is vital the fitting is proud of surface, and moisture cannot penetrate to back.

3) install back box if needed. Ensure any cable entry points are not submerged. It is vital the fitting is flush or proud of surface, **FIXTURES NORMALLY IP FROM FRONT ONLY.**

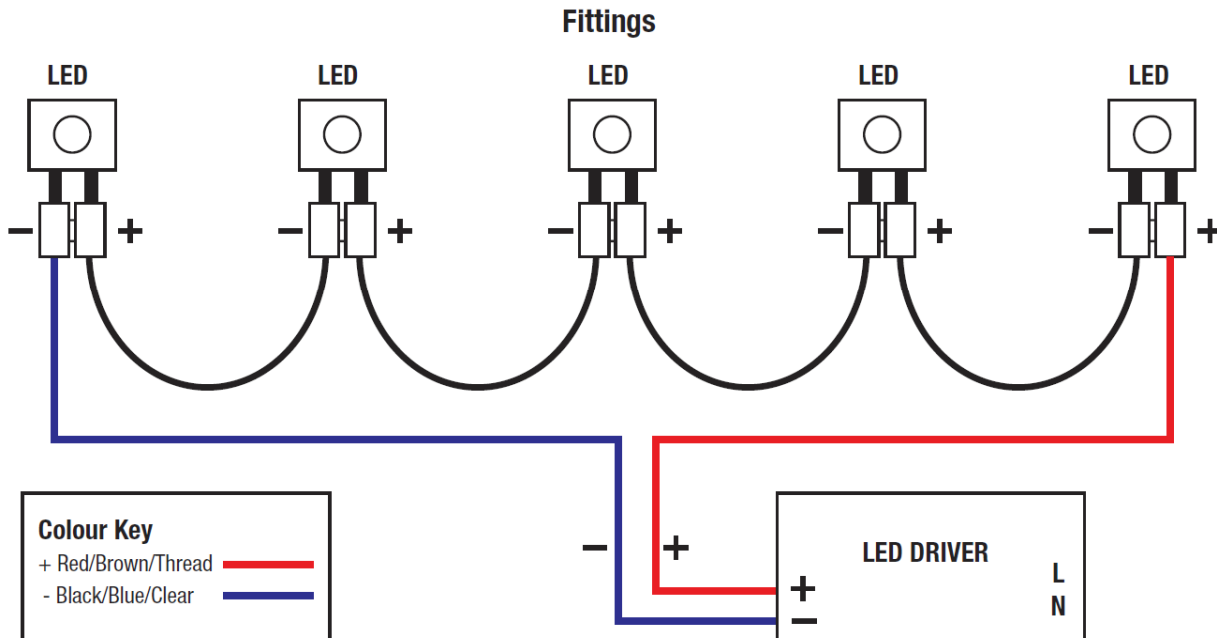
4) Push fitting into place. Fittings are typically retained by either o rings, spring clips or allen screws. For fittings with bolt on glass covers, run lights for 30 mins prior to bolting glass down to expell any moisture and prevent condensation. Where a remote driver is used, it is recommended that it is sited in an enclosure of at least IP65.

Detail lighting (De Marchis Sergison Group) Co. reg 04544405

T: 0845 052 4442 F: 0845 052 4443 E: sales@detaillighting.co.uk www.detaillighting.co.uk

In view of a constant development of their products, the manufacturer reserves the right for changing technical data and features without prior notice

SERIES WIRING



PLEASE CHECK DRIVER SPECIFICATION SHEET FOR MINIMUM AND MAXIMUM SUPPORTED LED'S PER DRIVER / CHANNEL

CAUTION! - HOT WIRING

LED lights must be connected to the driver with power turned off.
Connection while the power is on is known as hot-wiring and is likely to permanently damage the LED.
If the LED driver was previously powered, you must allow several minutes for any residual voltage to disperse before continuing the installation.
Please ensure all cables from the driver are tightly secured as loose