

Danny MAX surface Code : DT. ALT surface

CE IP20 CRI>90 ³SDCM

Description

High lumens (nom. 2100lm) Surface dimmable spotlight. Adjustable 90° tilt, 350° rotation. Contemporary look, suitable for all high powered high-lighting applications. Versions with INTEGRAL & REMOTE DRIVER.

Materials Die Cast Aluminium

Colour finish BLACK RAL9017, WHITE RAL9016 (RAL to order)

Dimensions (mm) 163 (h) x 70 dia.

Weight (KG) 0.6

Light Source

Option A: 24w LED (2100 lms nom.) 16° 22° 34° 43°

CCT available 2700K / 3000K / 4000K CRI90+

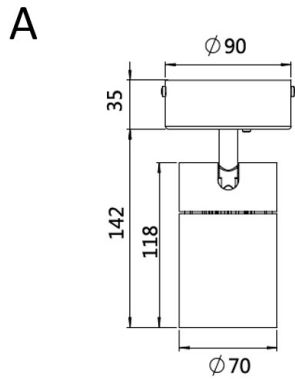
Dimming Mains (phase), 0-10v or DALI, Casambi  allows dimming control of each fixture (remote)

Special Notes

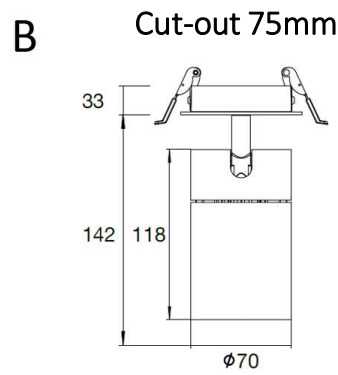
See p.2 for mounting and driver options

Honeycomb, elliptical diffuser & soft beam diffuser available

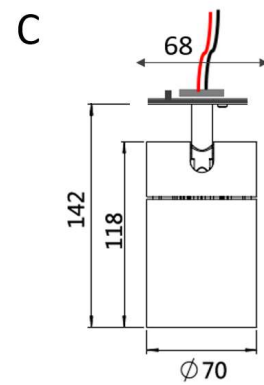




Driver in ceiling base



Remote driver fits through hole:



BESA BOX cover fixed by screws
Allow 20mm cavity in ceiling void for connections
Remote driver



Accessories available to order



Honeycomb Oval diffuser Diffuser
L01 L02 L03

N.B consider any loading restrictions inc FV for constant-current