

Cursa Quadro mini

Code : DT. WL3146

CE IP65 CRI>90 SDCM<sup>3</sup>

## Description

Mini Square LED path light; low-glare. Fixed asymmetric 60° beam fixed. IP65 dimmable with remote driver. Also available with integral on/off driver. Supplied with fixing box when installed externally.

Select version with built-in driver (240v on/off) or remote dimming driver (parallel 24v DC)

**Materials** Stainless 316, back-box injection moulded

**Colour finish** White RAL9003 Black RAL9005, custom RAL to order


**Dimensions (mm)** 70 x 70 x 72 (d)

**Weight (KG)** 0.2

## Light Source

2w LED (100 lms) Osram 2835 SMD 24v DC UGR19

**CCT available** 2700K / 3000K

**Dimming** Phase, 0-10v, DALI (remote). Casambi  allows dimming control of each fixture

## Special Notes

Select version with built-in driver (240v on/off) or remote dimming driver (parallel 24v DC)



t. 01908 613256

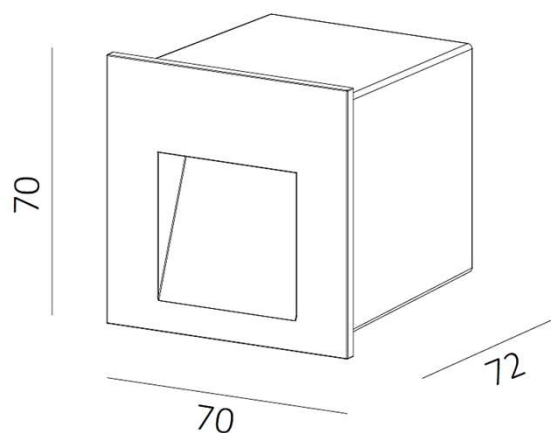
[sales@detaillighting.co.uk](mailto:sales@detaillighting.co.uk)

[www.detaillighting.co.uk](http://www.detaillighting.co.uk)

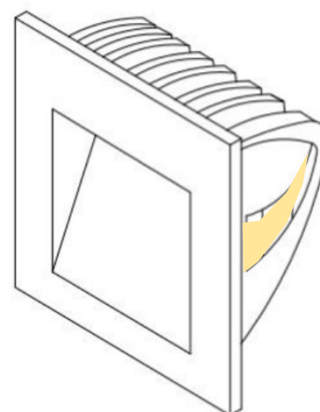
All products produced in accordance to EN60598

# Detail | lighting Cursa Quadro mini

Back-box 65 x 65 mm cut-out

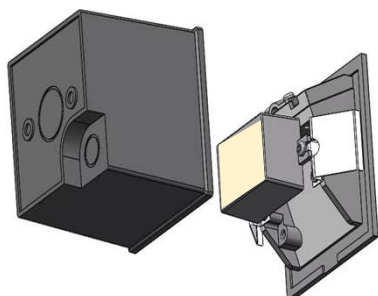


Plasterboard fixing with spring (remote driver)



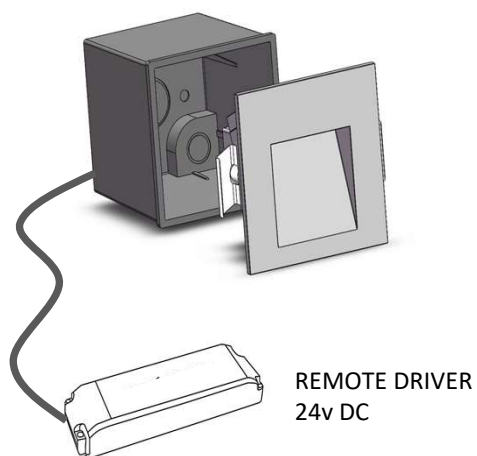
**A.**

OUTDOOR FIXING BOX FOR MASONRY WALLS WITH (ON/OFF BUILT-IN DRIVER)



**B.**

OUTDOOR FIXING BOX FOR MASONRY WALLS WITH REMOTE DIMMABLE DRIVER



- Constant Voltage DC fittings must be wired in parallel.
- **SET DRIVER TO CORRECT OUTPUT**
- Use flex from driver to fitting
- Dirt or grit on the gasket may cause luminaire to leak