

Cortes 48v Code : DT. Surface track **CE IP20** CRI>90 ³SDCM

Description

48v DC DALI addressable surface track. Contemporary look. suitable for all Cortes 48v fixtures.

Materials Die Cast Aluminium

Colour finish BLACK RAL9017, custom RAL to order

Dimensions (mm) 21 (h) x 26.2 (w) **Weight (KG)** 0.75 per m

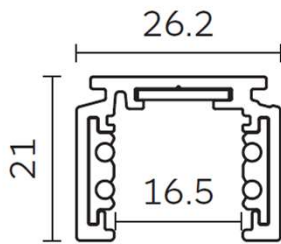
Dimming 0-10v or DALI, Casambi  allows dimming control of each fixture (remote)

Special Notes

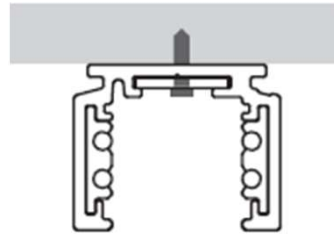
Available in 1m, 2m lengths Accessories See technical / safety instructions p.2-3



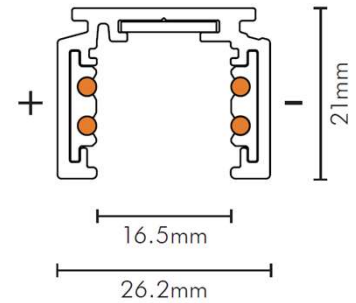
Detail | lighting Cortes 48v DT. Surface track



Surface Track



Fixing



Accessories



Feeder 4-wires **TLV-JM-EC-B**



connector **TLV-JM-IC-B**



End-cap **TLV-JM-E1-B**



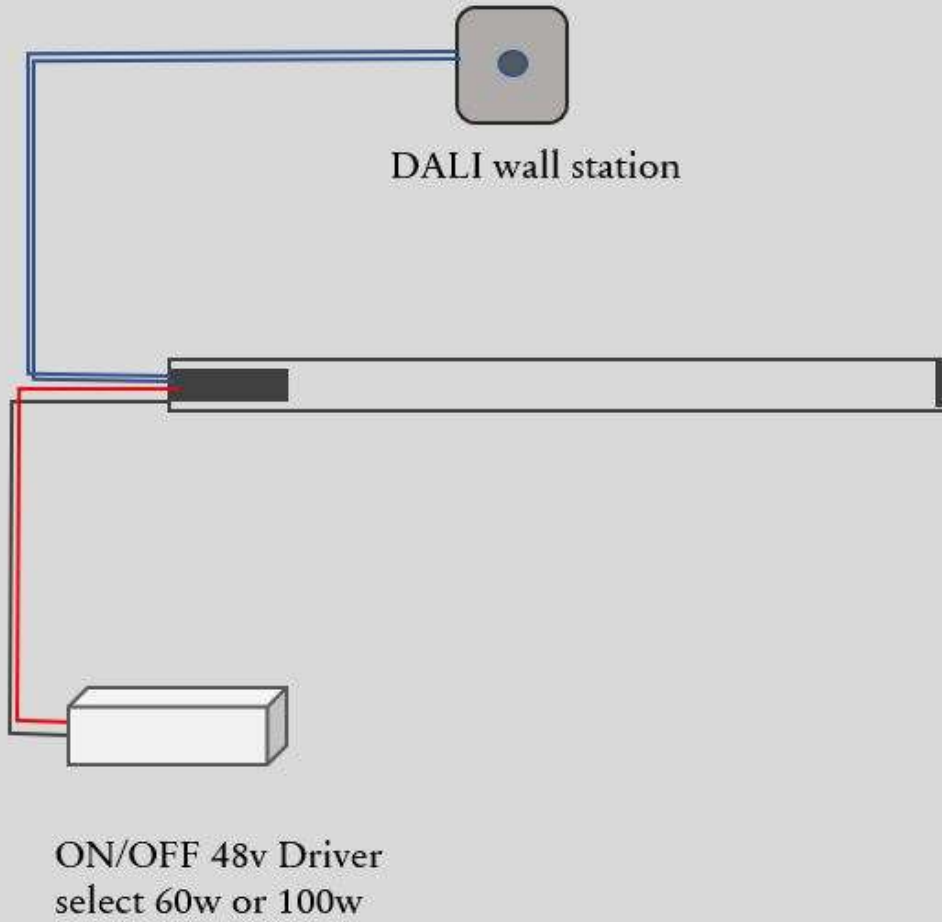
Fixed L connector **TLV-JM-LC-B**



Flex L connector **TLV-JM-FC-B**



Susp. Kit with bracket 2m



CAN ONLY BE DIMMED BY DALI OR 0-10V

