

Cortes 48v      Code : DT. Surface track      **CE** **IP20** **CRI>90** **SDCM**<sup>3</sup>

---

## Description

48v DC DALI addressable surface track. Contemporary look. suitable for all Cortes 48v fixtures.

**Materials**      Die Cast Aluminium

**Colour finish**      BLACK RAL9017, custom RAL to order

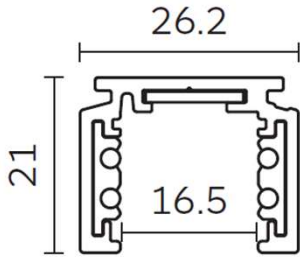
**Dimensions (mm)**      21 (h) x 26.2 (w)      **Weight (KG)** 0.75 per m

**Dimming**      0-10v or DALI, Casambi  allows dimming control of each fixture (remote)

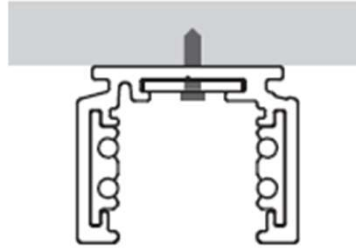
## Special Notes

Available in 1m, 2m lengths Accessories See technical / safety instructions p.2-3

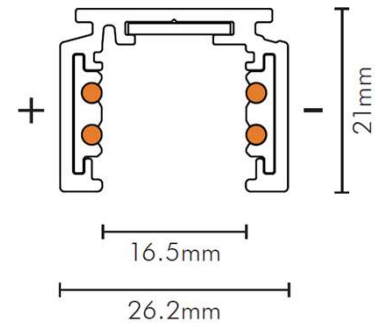




Surface Track



Fixing



Accessories



Feeder 4-wires **TLV-JM-EC-B**



connector **TLV-JM-IC-B**



End-cap **TLV-JM-E1-B**



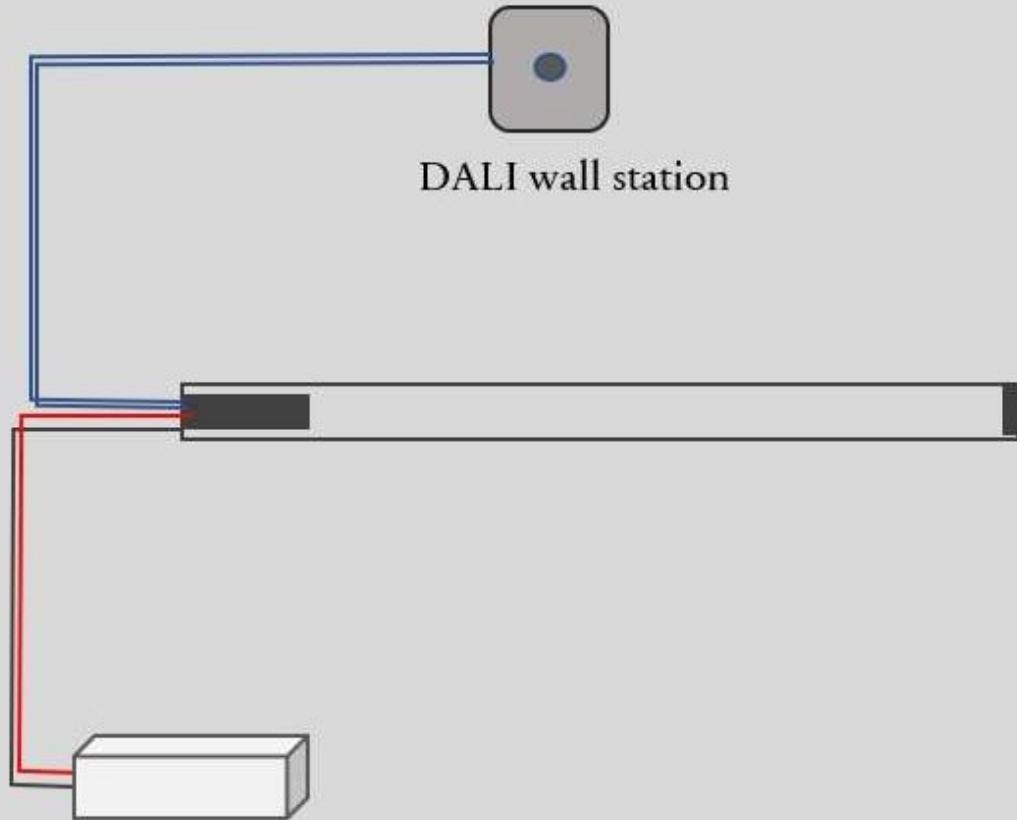
Fixed L connector **TLV-JM-LC-B**



Flex L connector **TLV-JM-FC-B**



Susp. Kit with bracket 2m



ON/OFF 48v Driver  
select 60w or 100w

CAN ONLY BE DIMMED BY DALI OR 0-10V

