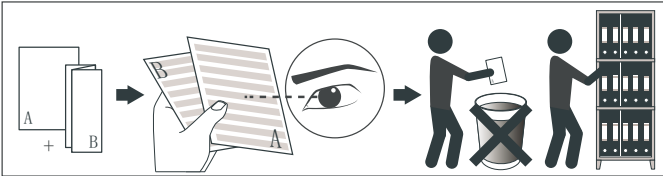


R20-2 recessed Magnet track

Please read carefully to avoid mistakes.



R20-2

R20-2

54.7

72

48V-DC (2 conductors)
 MAX. 300W, MAX 50M
 2 DIM conductors (for individual dimming)
 DALI dimmable luminaires on request

tool

tool

Use this tool after cutting the aluminum profile

1

5mm

90°

5mm

90°

4x

R20-2 180° straight connection

accessory

M4x4
8PCS

2X

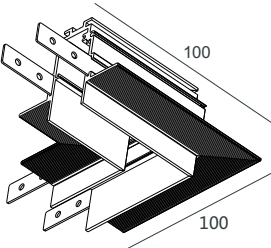
Use this tool after cutting the aluminum profile

8 PCS

B

A

R20-2 90° Corner connection

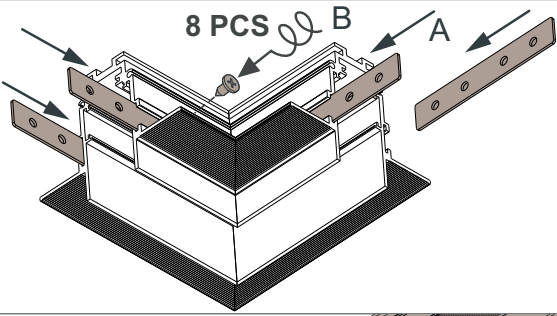


R20-2 - 90° Corner connection 3181052

accessory
4X

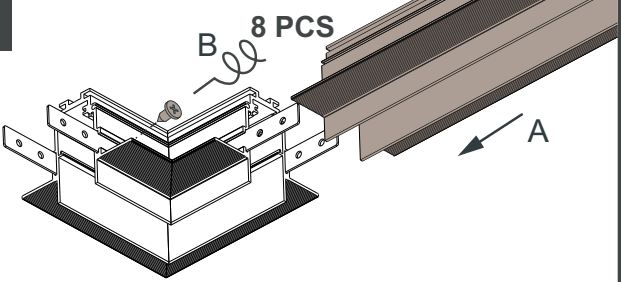
⚠ Use this tool after cutting the aluminum profile

1



8 PCS B

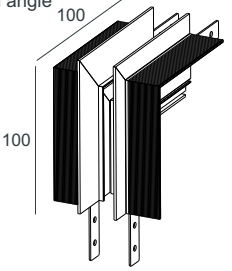
2



8 PCS B

R20-2 90° external angle/internal angle

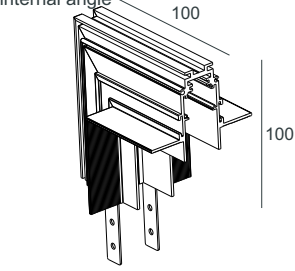
external angle



100

100

internal angle



100

100

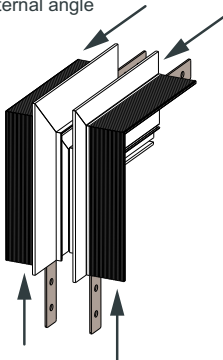
R20-2 - 90° external angle/internal angle 3181052

accessory
M4x4 16PCS 4X

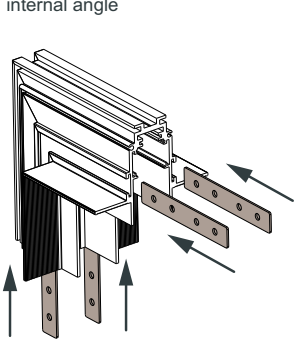
⚠ Use this tool after cutting the aluminum profile

1

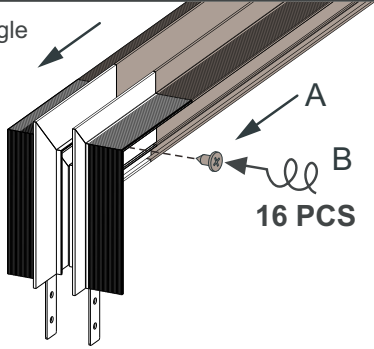
external angle



internal angle

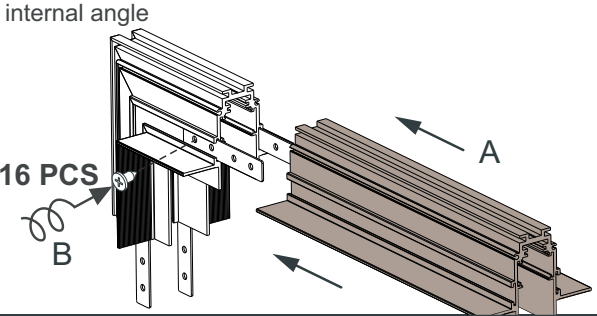


2 external angle



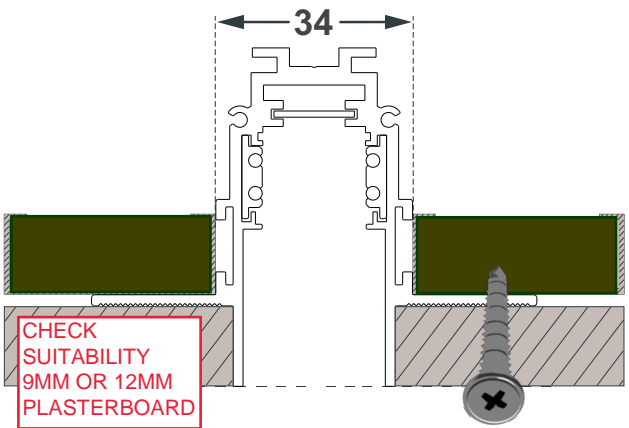
16 PCS B

internal angle



16 PCS B

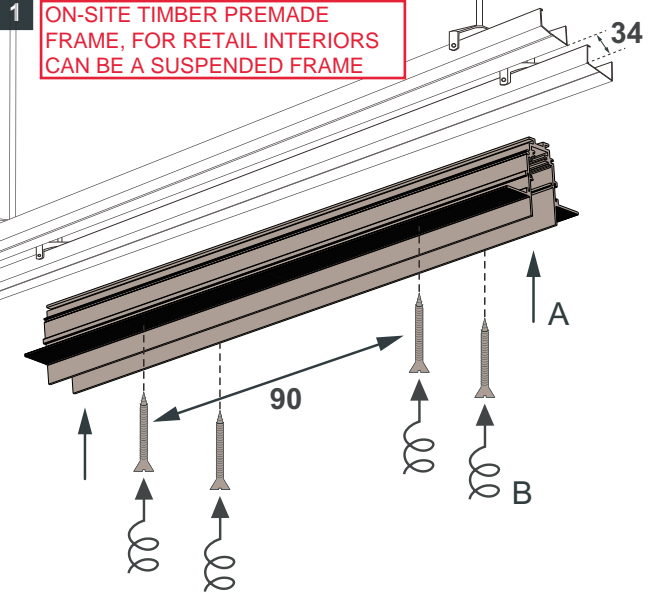
installation
installation position



34

CHECK SUITABILITY 9MM OR 12MM PLASTERBOARD

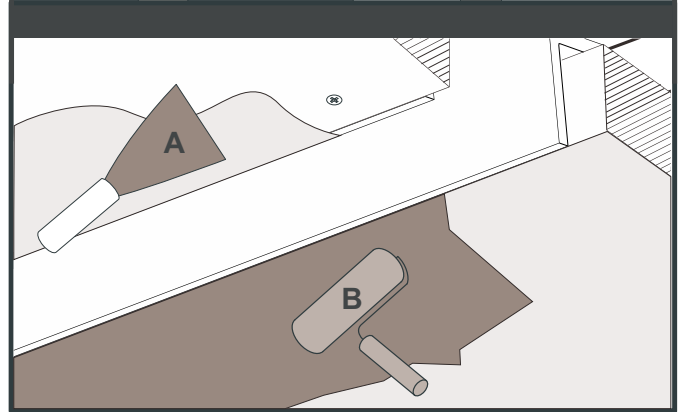
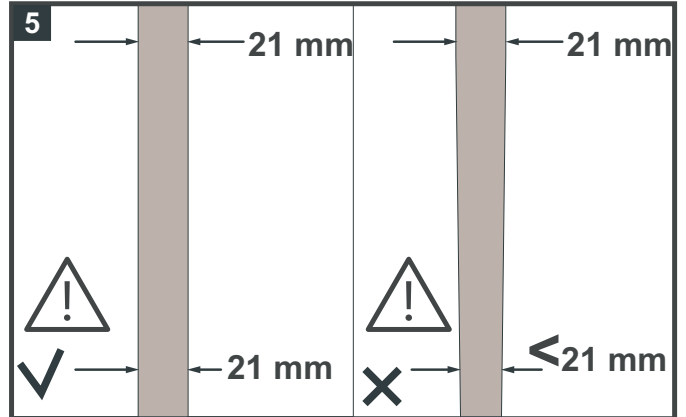
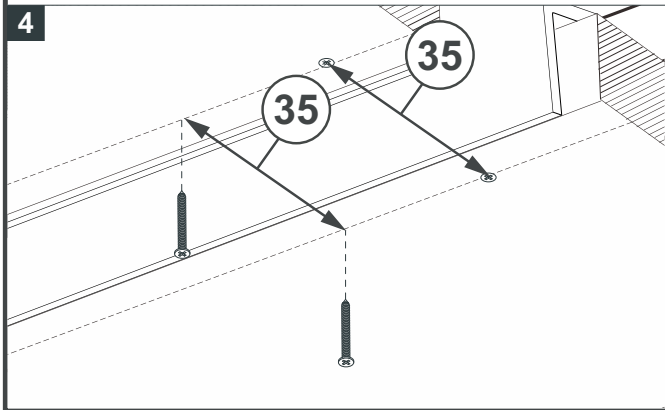
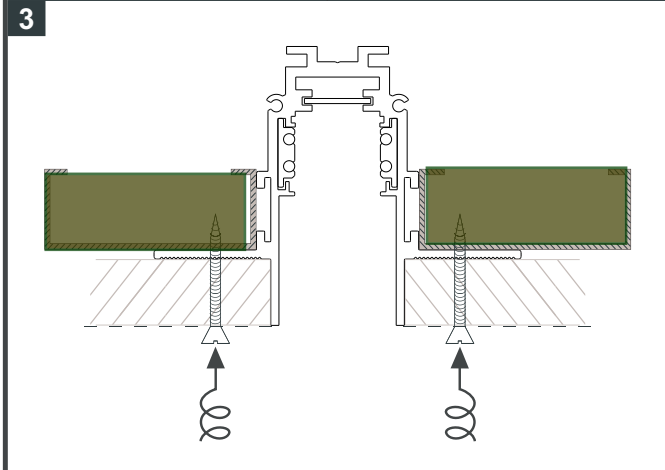
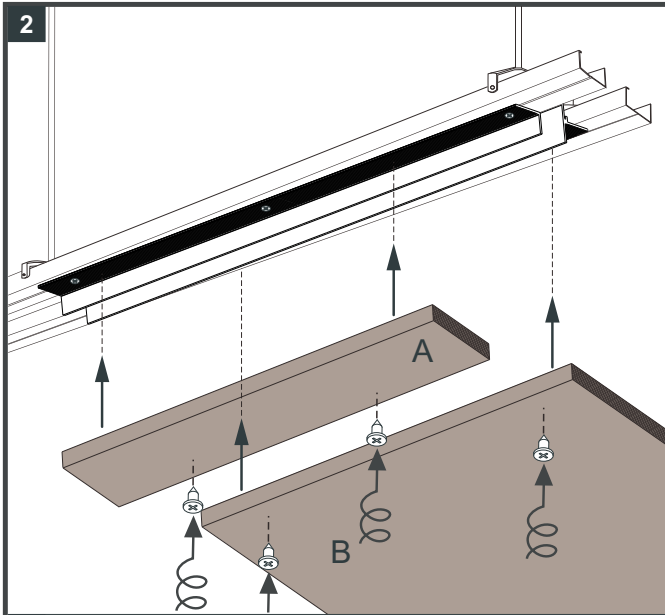
1 ON-SITE TIMBER PREMADE FRAME, FOR RETAIL INTERIORS CAN BE A SUSPENDED FRAME



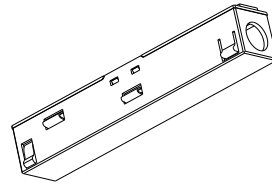
34

90

16 PCS B

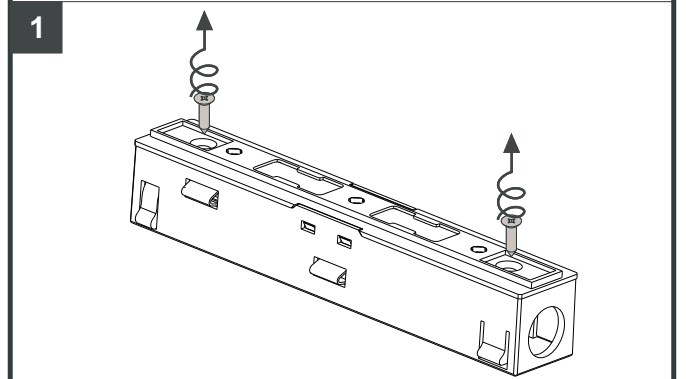
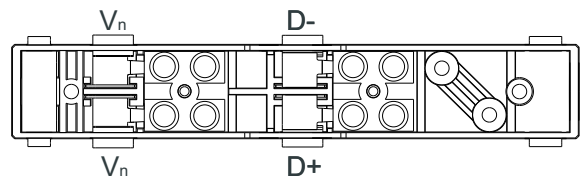


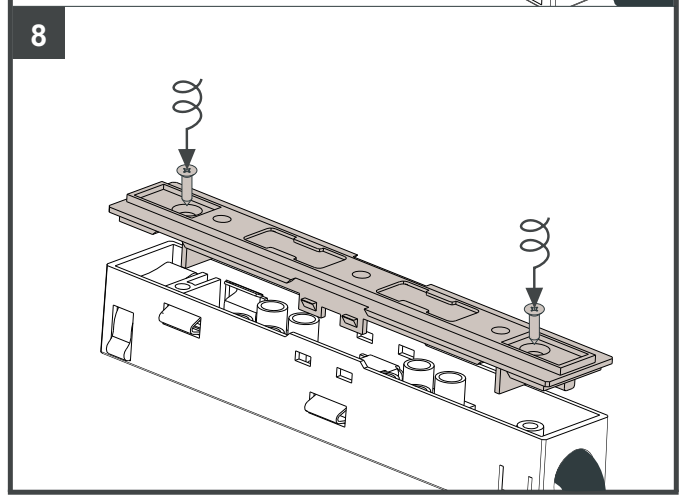
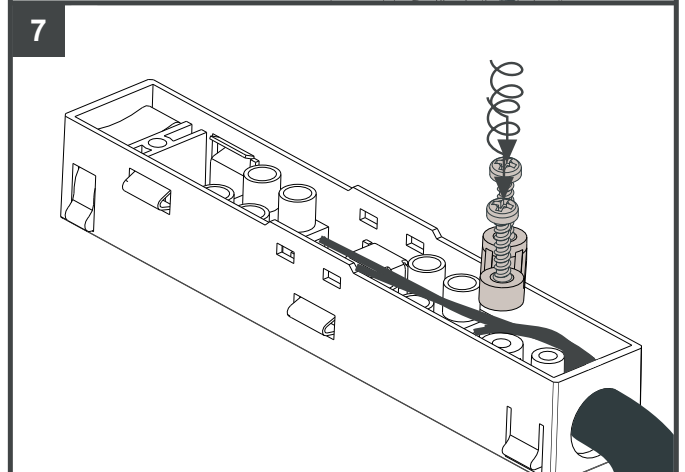
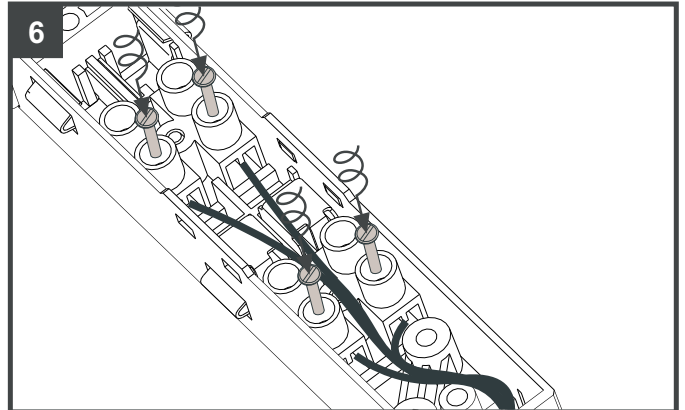
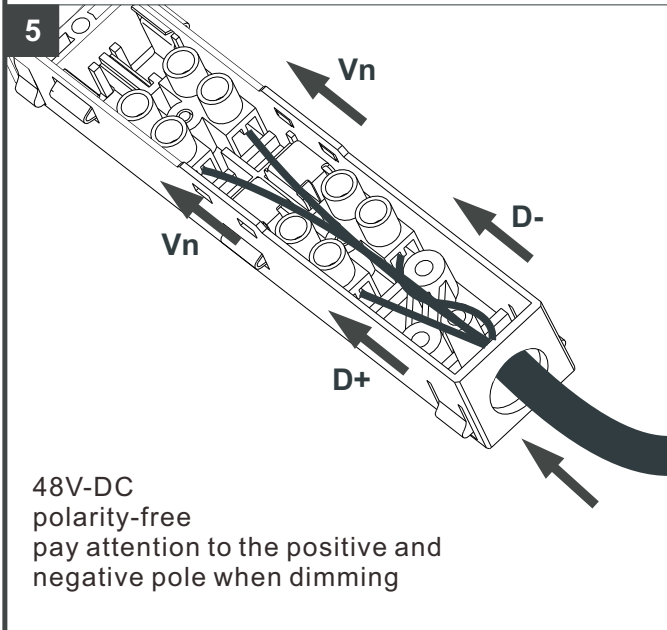
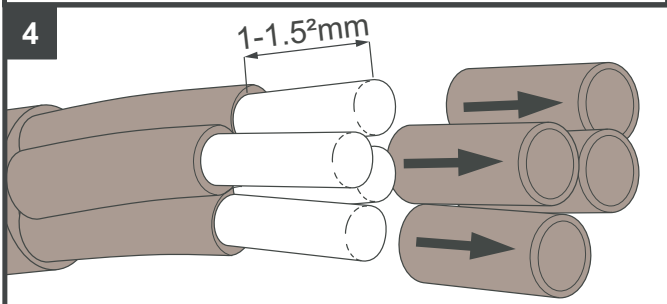
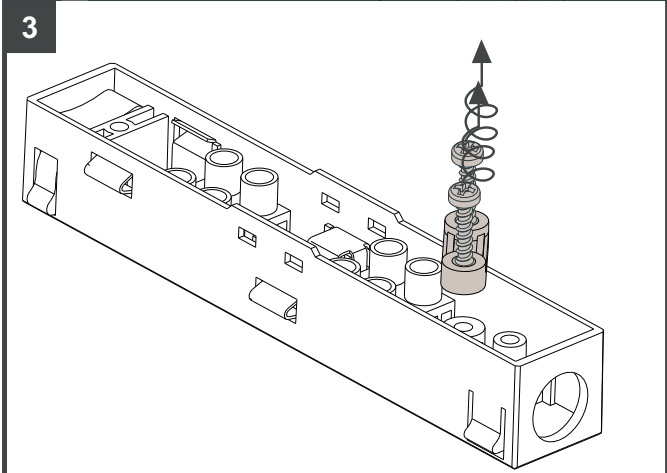
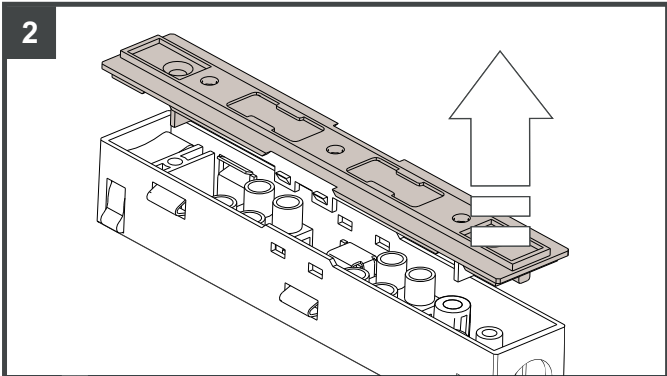
R20-2 - 48V



R20-2 - 48V

48V-DC
 Max.:300W
 Max.:50M
 The connector just can be worked only connected to the safety voltage






9


on

↓

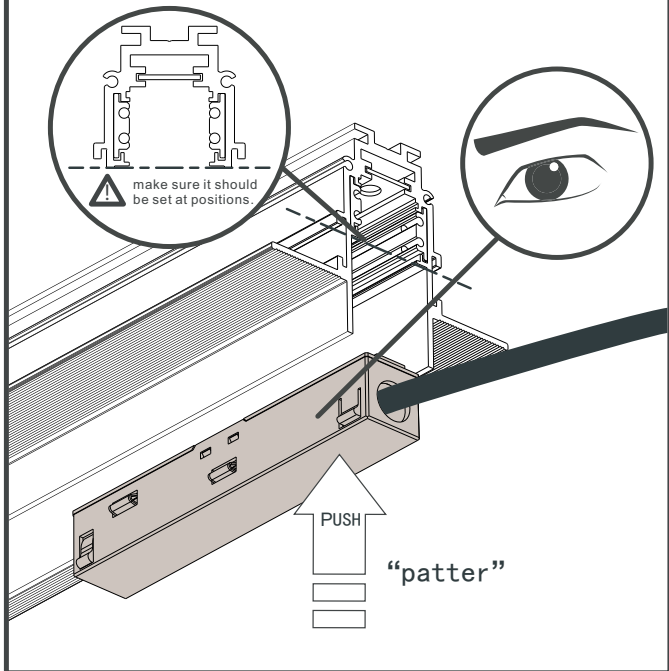
off



ensure mains power is turned off

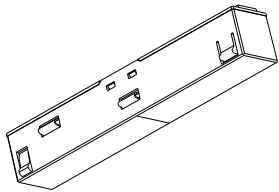



make sure it should be set at positions



↑ PUSH "patter"

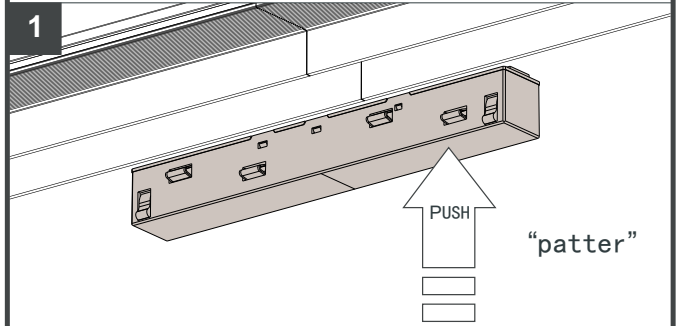
R20-2 - straight connector 48V - 180°

	<p>R20-2 - straight connector 48V - 180°</p> <p>48V-DC Max.:300W Max.:50M</p>
--	---




Warning to reduce the risk of overheating , and fire, no Bridging conductor

1

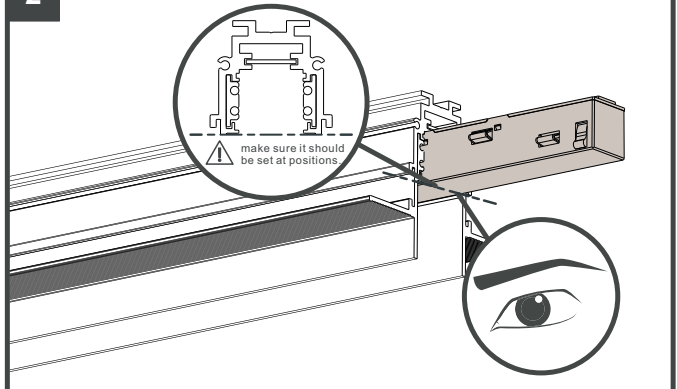


↑ PUSH "patter"

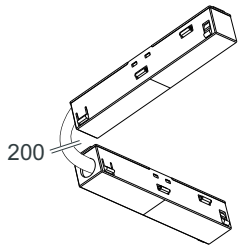
2



make sure it should be set at positions



R20-2 - flexible connector 48V - 90°



R20-2-flexible connector 48V - 90°

48V-DC
Max.:300W
Max.:50M

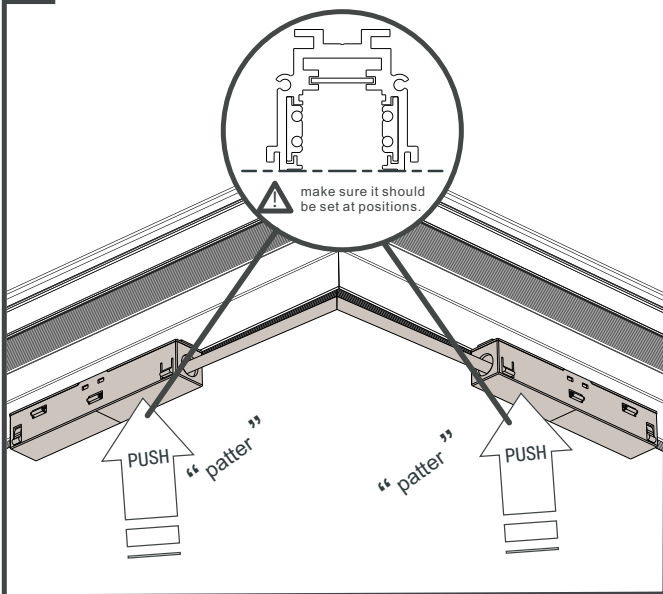


Warning

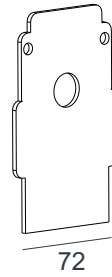
to reduce the risk of overheating ,
and fire, no Bridging conductor

no connector in the corner

1



R20-2 - end cap



R20-2
3181082

54.7

72

accessory

2X

M3X8 2PCS

B

A

