

PALLA Pendant Product Code DT. 7126 (add suffix see below)

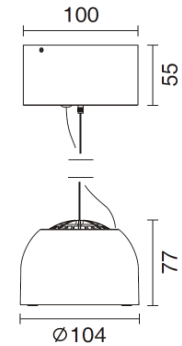
IP20 zone 3 **CE** **LED** IEE : A+ EN 60598.

DESCRIPTION / Round ceiling suspended LED pendant, dimmable.

Dimensions (mm)
h77 x 104

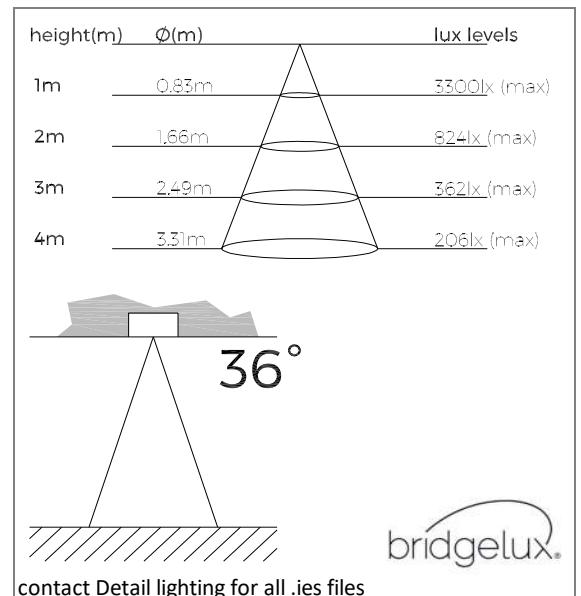
WHY USE THIS: Contemporary look, set-back LED. Small dimensions with high output. Suitable for all genral downlight applications.

Cut-out (mm)
N/A

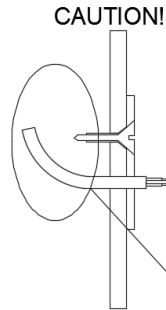


material light fixture	Die cast aluminium
colours & finish/ (suffix)	WHITE -11 OR BLACK -10
light source & voltage options (PLEASE CONTACT US FOR ALTERNATIVE SOURCES)	a) 26w (2500 lms) 36 deg 240v b) c) d)
colour temperature /(suffix)	3000K / 4000K
CRI (colour render) /(suffix)	90+
MacAdam	<3
Controls options /(suffix)	PHASE DIMMING, DALI, 0-10V 0-10v remote driver DALI remote driver
Optional Accessories	15 deg 26 deg options available.
AV. Weight (kg)	3
Emergency Available?	No
Special Notes	ON / Off driver as standard, optional dimming driver upon request.

technical performance



INSTALLATION



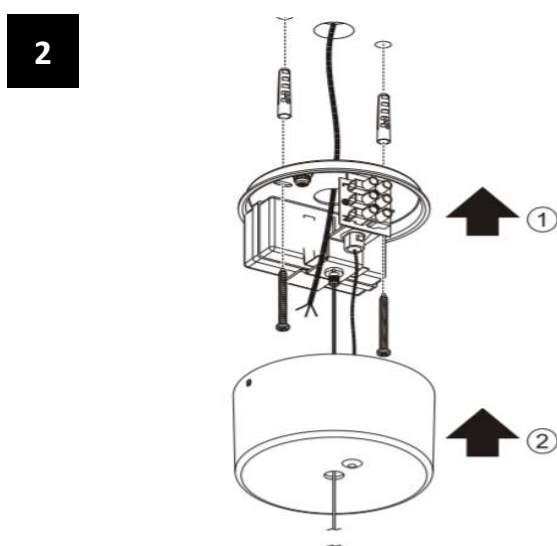
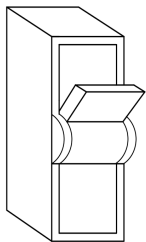
TECH NOTES: Ensure any mounting screws do not pierce cable insulation.

REDUCE CABLE SIZE SUITABLE TO FIT THE TERMINAL BLOCK.

WARNING: Ensure power is isolated before undertaking any electrical work. Check fitting type to ascertain correct wiring type if low voltage fittings used (series or parallel) as incorrect wiring will damage the fittings

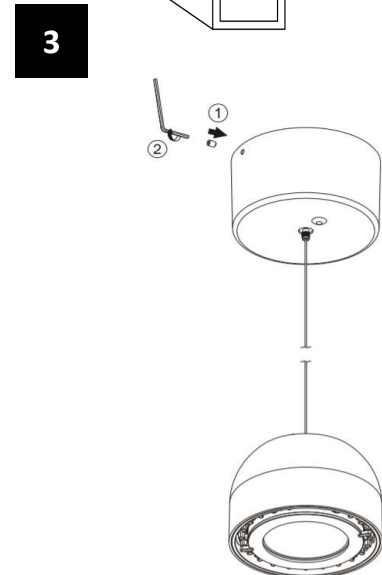
If in doubt about any electrical connection, or selection of suitable lamps or drivers (where required) please consult a qualified electrician. Any fitting used in external or bathroom locations should be IP rated as required according to the zone in which they are located. In such instances all connections should also be of suitable type, as should enclosures for drivers.

1 Turn off power!

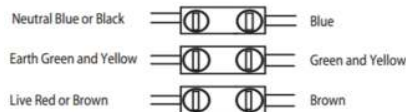


1) Isolate power prior to fitting. Establish location for remote driver if applicable.

2) screw mounting plate to wall / ceiling securely



3) connect wiring to terminal block. **REDUCE CABLE SIZE SUITABLE TO FIT THE TERMINAL BLOCK**



4) insert lamp units into lamp holders and insert into body where needed.