

Bathroom Downlights - YED



Product Code BLYE01white

Construction Die-cast aluminium

IP Rating 54

Emergency Available? Y

Colours / Finish Matt White

Light Source & Voltage 12v 50w MR16

LE LOW ENERGY VERSION
AVAILABLE

Special Notes Suitable for zones 2 & 3

Supplied with etched glass
as standard, clear glass to
order

Dimensions (mm)

h 78 X 87

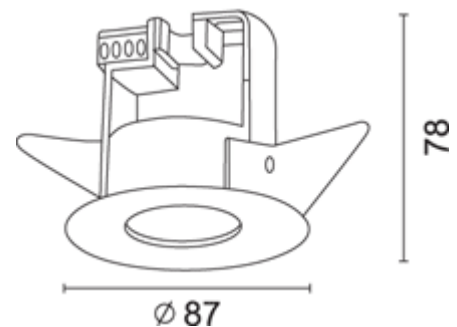
Cut-Out Dimensions (mm)

78

Why Use This

-Flat trim, sophisticated look with deep baffle for glare control.

Yed can be used through all places besides wet areas.



Detail Lighting Limited

Warrington Farm Design Office
Olney (A509)
Bucks
MK46 4HN

Tel: 0845 052 4442

Fax: 0845 052 4443

Email: sales@detallighting.co.uk