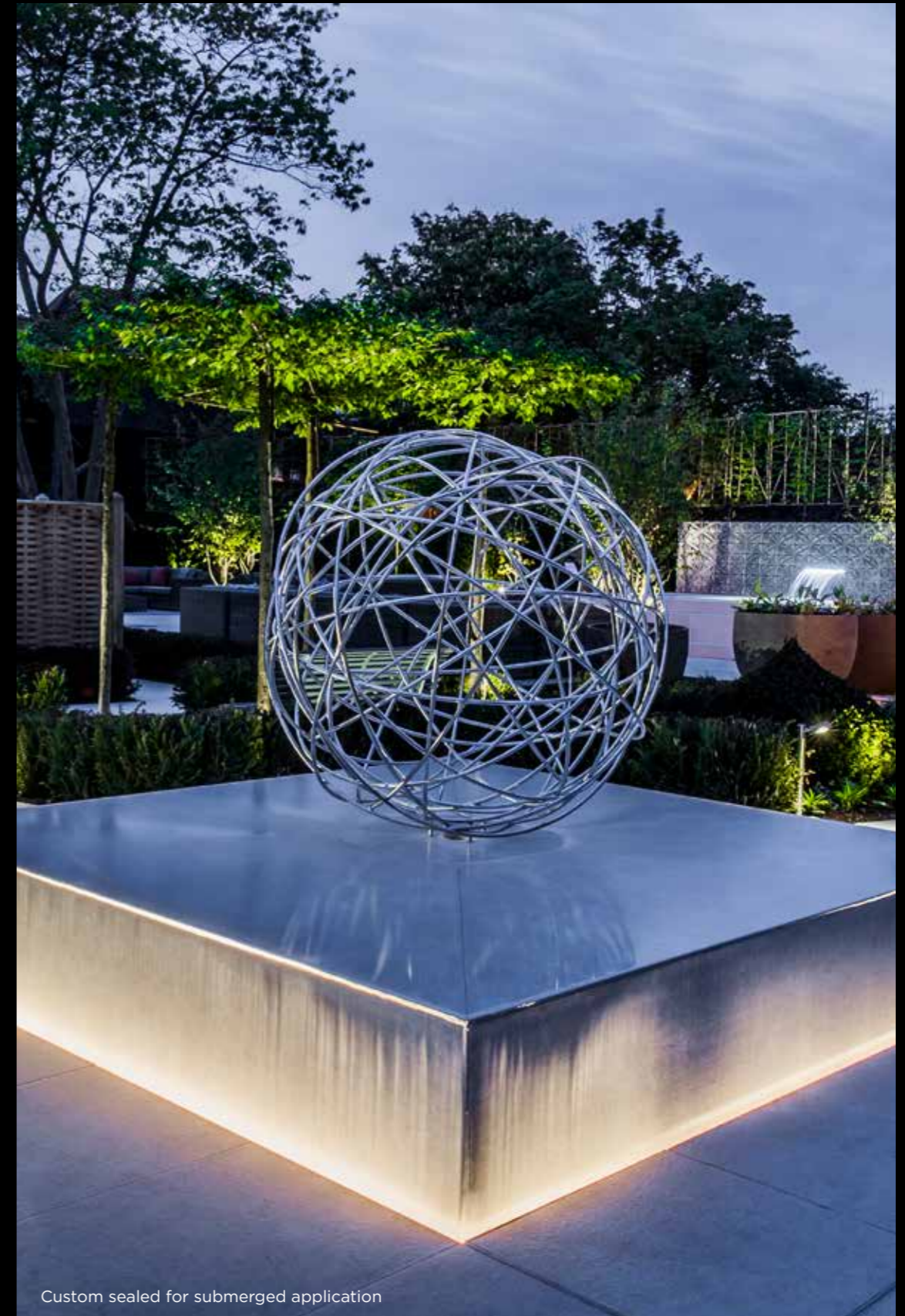
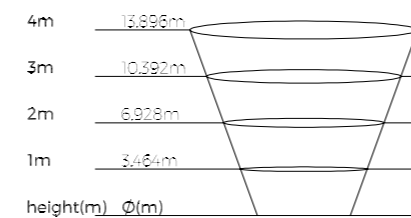
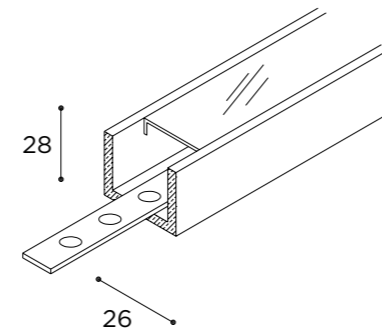


LED Linear



Linear LED in-ground (& ceiling fixture), fixed IP rated. Dimmable.

Product code	DT. LED-LINEAR (add suffix see below)
Construction	Stainless steel
Colour finish	Suffix: Anodised -75 RAL on request
Light source	a) (2835) 10w/m LED 140deg (800 lms/m) 24v DC b) (2835) 15w/m LED 140deg (1150 lms/m) 24v DC c) (5050) 15W/m RGB 140deg (400 lms/ colour/m) 24v DC (Please contact us for alternative sources)
Colour temp & CRI	Suffix: 2700K / 3000K / 4000K / (5000K / RGB to order) Suffix: CRI 80 90+
Macadam	3
Driver option	Phase dimming DALI 0-10V
Optional Accessories	Male/female gland connections
Dimensions	Custom length x 26 x 28
Special notes	Remote driver. Through wiring as an optional extra. Recommended to be bonded to substrate.



Custom sealed for submerged application

Why use this?

Contemporary clean, seamless lines walk-over. Custom lengths. Suitable for all wet areas . Dimmable.