

## Danny Recess

Product Code **DT.DANNY S 60 HIDE** (add suffix see below)

IP20 Zone 2

**CE LED**

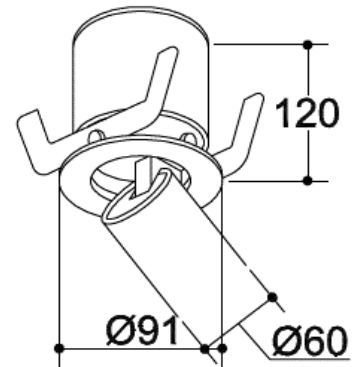
IEE : A+ EN 60598.

**DESCRIPTION /** Circular LED Recessed trimless downlight. Adjustable 90deg tilt & 350deg rotation, (Tuneable dim to warm option)

**WHY USE THIS:** Contemporary look, set-back LED. Full adjustability with good output. Excellent angle of tilt. Suitable for all general downlight applications

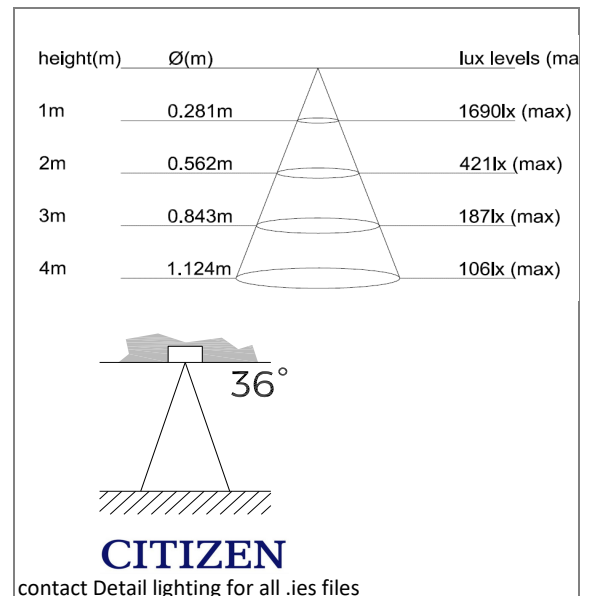
Dimensions (mm)  
h120 x 91

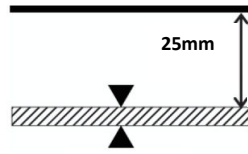
Cut-out (mm)  
79



<b>material light fixture</b>	Die Cast Aluminium
<b>colours &amp; finish/ (suffix)</b>	White - 11 or -RAL xxxx
<b>light source &amp; voltage options</b> (PLEASE CONTACT US FOR ALTERNATIVE SOURCES)	a) 9w LED 36deg (930 lms) 500mA 18v b) c) d)
<b>colour temperature /(suffix)</b> <b>CRI (colour render) /(suffix)</b> <b>MacAdam</b>	<b>2700K / 3000K / 4000K; (TUNEABLE DIM TO WARM OPTION)</b> 83 90+ <3
<b>Controls options /(suffix)</b>	Phase Dimming DALI 0-10v
<b>Optional Accessories</b>	Supplied with honeycomb. Beam angles 24 / 36 / 48 deg
<b>AV. Weight (kg)</b>	0.3
<b>Emergency Available?</b>	Yes
<b>Special Notes</b>	

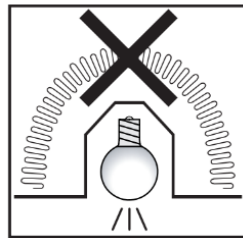
### technical performance





**TECH NOTES:**

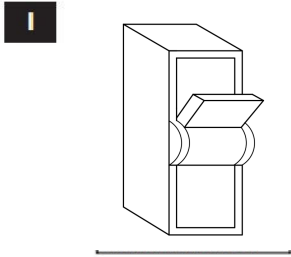
Allow minimum free space of 20mm - 25mm above fixture.  
For minimum height see above specification sheet.



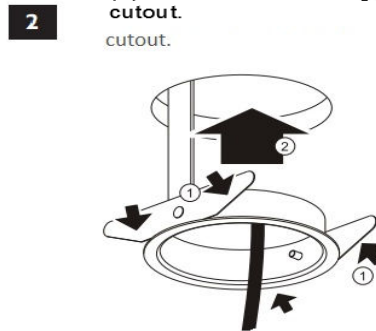
**WARNINGS:**

Do not cover top of fitting with insulation, as doing so will cause fitting to overheat substantially compromising its life span. Always be aware of any heating or hot water pipes which may cause ambient temperature to exceed 40°C

Turn off power!

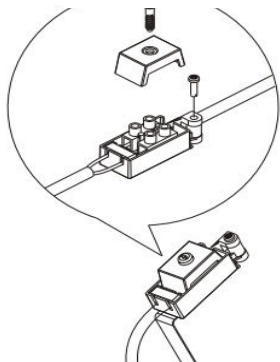


Insert outer ring into ceiling. Compress springs (1) inwards towards ring, then push into cutout.

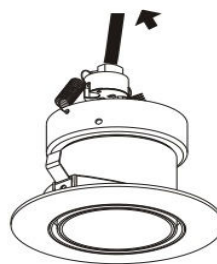


1) Always ensure power is isolated prior to undertaking any electrical work.

Make electrical connections as necessary. If light source requires driver pass it through into void at this stage



Push fitting up into ring. Fitting will click securely into place.



2) cut hole in ceiling to size specified for fitting. Hold spring clips (1 on drawing) back against installation ring, and push ring up into ceiling. The spring clips will unfold and hold ring into ceiling. For fittings with mousetrap style springs, hold springs straight up, and push fitting into void. the springs will pull the outer ring or fitting into the ceiling.

3) make electrical connections as necessary. For fittings with remote driver, pass driver through ring into ceiling void at this time.

4) push fitting into the outer ring. When installed fitting should be retained with a secure click. For wall washing ensure unit is fitted to allow maximum tilt and ensure adequate clearance to any joists or obstructions.