

Danny Recess

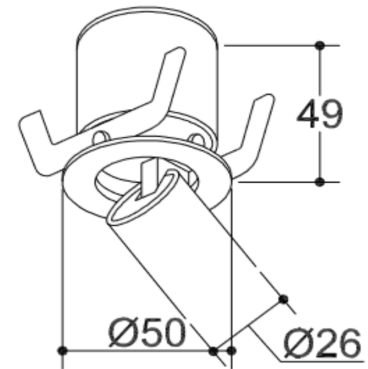
Product Code DT.DANNY S 26 (add suffix see below)

IP20 Zone 2 **CE** **LED** IEE : A+ EN 60598.

DESCRIPTION / Circular LED Recessed trimless downlight. Adjustable 90deg tilt & 350deg rotation.
WHY USE THIS: Contemporary look, set-back LED. Full adjustability with good output. Excellent angle of tilt. Suitable for all general display applications

Dimensions (mm)
h49 x 50

Cut-out (mm)
40

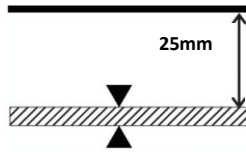


material light fixture	Die Cast Aluminium
colours & finish/ (suffix)	White - 11 or -RAL xxxx
light source & voltage options (PLEASE CONTACT US FOR ALTERNATIVE SOURCES)	a) 2w LED 15deg (220 lms) 700mA 3v b) c) d)
colour temperature /(suffix) CRI (colour render) /(suffix) MacAdam	2700K / 3000K / 4000K; 83 90+ <3
Controls options /(suffix)	Phase Dimming DALI 0-10v
Optional Accessories	Supplied with honeycomb. Lens beam angles 15 / 30 / 50 / 30x17 deg
AV. Weight (kg)	0.1
Emergency Available?	Yes
Special Notes	

technical performance

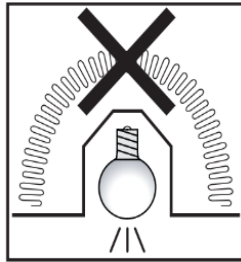
height(m)	Ø(m)	lux levels (ma)
1m	0.281m	1690lx (max)
2m	0.562m	421lx (max)
3m	0.843m	187lx (max)
4m	1.124m	106lx (max)

CITIZEN
contact Detail lighting for all .ies files



TECH NOTES:

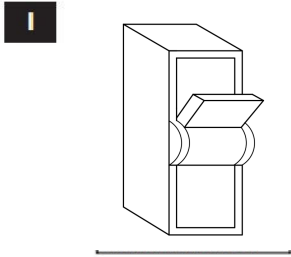
Allow minimum free space of 20mm - 25mm above fixture.
For minimum height see above specification sheet.



WARNINGS:

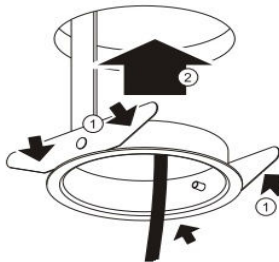
Do not cover top of fitting with insulation, as doing so will cause fitting to overheat substantially compromising its life span. Always be aware of any heating or hot water pipes which may cause ambient temperature to exceed 40°C

Turn off power!



Insert outer ring into ceiling. Compress springs (1) inwards towards ring, then push into cutout.

2

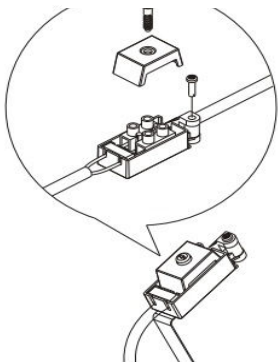


1) Always ensure power is isolated prior to undertaking any electrical work.

2) cut hole in ceiling to size specified for fitting. Hold spring clips (1 on drawing) back against installation ring, and push ring up into ceiling. The spring clips will unfold and hold ring into ceiling. For fittings with mousetrap style springs, hold springs straight up, and push fitting into void. the springs will pull the outer ring or fitting into the ceiling.

Make electrical connections as necessary. If light source requires driver pass it through into void at this stage

3



4

Push fitting up into ring. Fitting will click securely into place.



3) make electrical connections as necessary. For fittings with remote driver, pass driver through ring into ceiling void at this time.

4) push fitting into the outer ring. When installed fitting should be retained with a secure click. For wall washing ensure unit is fitted to allow maximum tilt and ensure adequate clearance to any joists or obstructions.