

## DANNY AIR Surface

Product Code **DT.** Danny Air Surface (add suffix see below)

IP20 zone 3 **CE** **LED** IEE : A+ EN 60598.

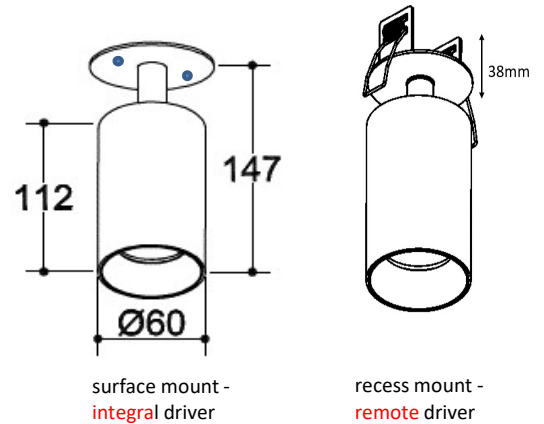
Dimensions (mm)  
147 X 60 DIA

DESCRIPTION / Round LED surface spotlight dimmable. Adjustable 90 deg tilt, 320 deg rotation.

**WARM DIM OPTIONAL**

WHY USE THIS: Compact dimensions; simple design; suitable for all display applications.

Cut-out (mm)  
n/a



**material light fixture** Aluminium body and bezel

**colours & finish/ (suffix)** BLACK -10, white -11 or - RAL xxxx

**light source & voltage options**  
(PLEASE CONTACT US FOR ALTERNATIVE SOURCES)  
a) 10w 3000K (800lm)  
b)  
c)  
d)

**colour temperature /(suffix)** **2700K / 3000K / 4000K WARM-DIM OPTION**  
**CRI (colour render) /(suffix)** 90+  
**MacAdam** 2



**Controls options /(suffix)** phase dimming driver integral, WARM DIM IS ALSO INTEGRAL DRIVER

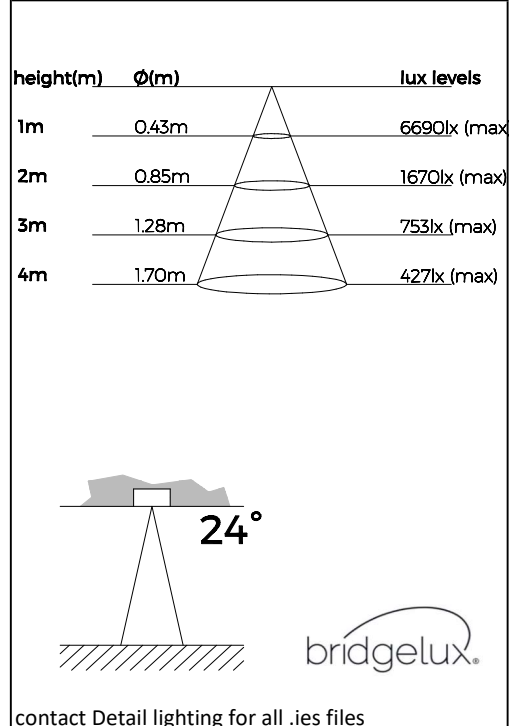
**Optional Accessories** Elongating lens / etched glass  
Optional beam 15deg. 24deg. 45deg. & 60deg.

**AV. Weight (kg)** 0.9

**Emergency Available?** No

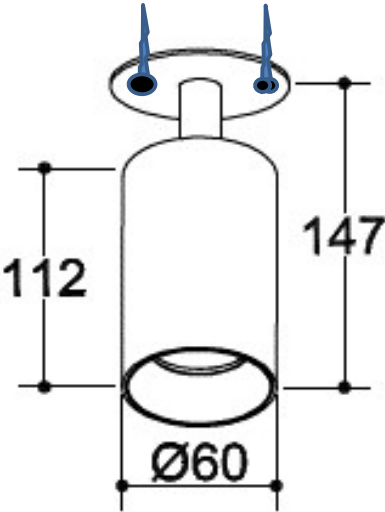
**Special Notes** Supplied with honeycomb louvre, SEE MOUNTING OPTIONS p.2

### technical performance



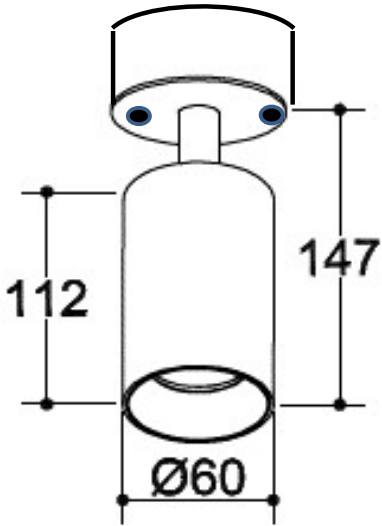
INSTALLATION OPTIONS

SCREW DIRECT TO SURFACE,  
REQUIRES 20MM CAVITY BEHIND FOR  
CABLE TERMINATION. SCREW  
CENTRES FIT A FLUSH BESA BOX (NOT  
SUPPLIED)



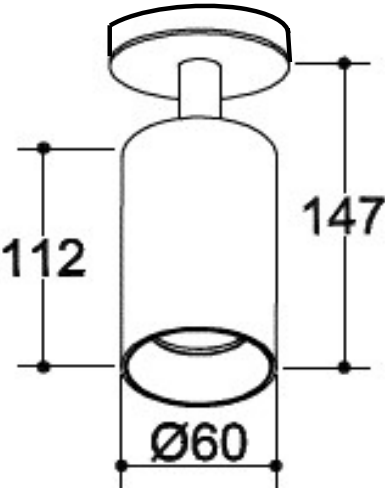
DRIVER BUILT-IN

FIXING CENTRES FIT STANDARD SURFACE  
BESA BOX (NOT SUPPLIED)

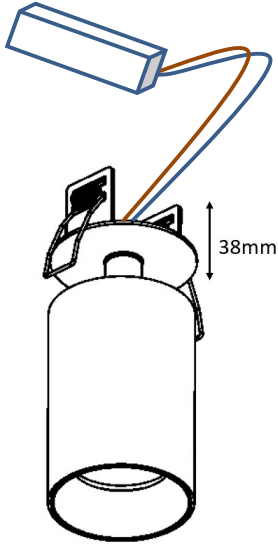
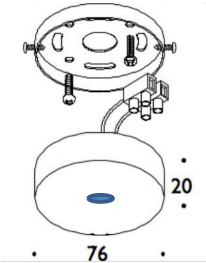


DRIVER BUILT-IN

SUPPLIED WITH SURFACE PLATE,  
ALLOWS FOR CONNECTIONS WITHIN



DRIVER BUILT-IN



RECESSED CEILING PLATE;  
DRIVER REMOTE