

Cortes 48v Code : DT. Surface track

CE IP20 CRI>90 <sup>3</sup>SDCM

## Description

48v DC DALI addressable surface track. Contemporary look. suitable for all Cortes 48v fixtures.

**Materials** Die Cast Aluminium

**Colour finish** BLACK RAL9017, custom RAL to order

**Dimensions (mm)** 550 (h) x 37 dia.

**Weight (KG)** 1 per m

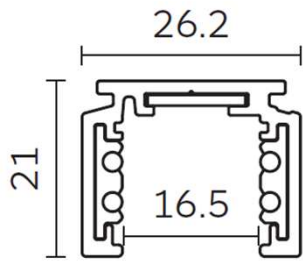
**Dimming** 0-10v or DALI, Casambi  allows dimming control of each fixture (remote)

## Special Notes

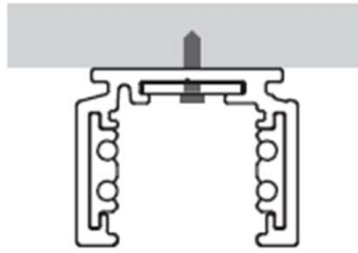
Available in 1m, 2m lengths Accessories See technical / safety instructions p.2-3



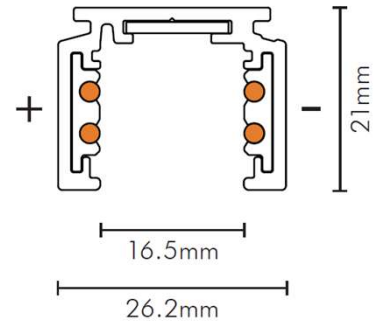
# Detail | lighting Cortes 48v DT. Surface track



Surface Track



Fixing



## Accessories



Feeder 4-wires **TLV-JM-EC-B**



connector **TLV-JM-IC-B**



End-cap **TLV-JM-E1-B**



Fixed L connector **TLV-JM-LC-B**



Flex L connector **TLV-JM-FC-B**



Susp. Kit with bracket 2m