

Corona-PRO

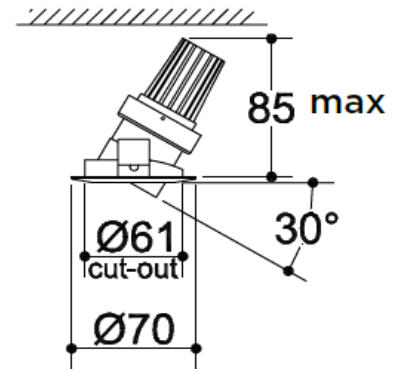
Product Code DT. 6624(add suffix see below)

IP20 Zone 3 **CE** **LED** IEE : A+ EN 60598.

DESCRIPTION / Round LED Recessed dark-light downlight. Adjustable 30deg tilt.

WHY USE THIS: Slim discreet anti-glare look, directional. Sufficient angle of tilt. Suitable for all general downlight applications including wet areas. **Dim-to-warm available**

Dimensions (mm)
h85mm x 70mm (9w LED module)
Cut-out (mm)
61



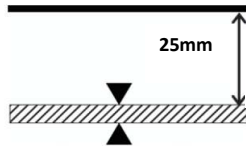
material light fixture	Die Cast Aluminium
colours & finish/ (suffix)	White - 11 or -RAL xxxx
light source & voltage options (PLEASE CONTACT US FOR ALTERNATIVE SOURCES)	a) 9w LED (800 lms) 200 mA 45v b) 11w LED 40 deg (1000 lms) 250 mA 44v c) DIM TO WARM OPTION AVAILABLE d)GU10 7w LED 36 deg (560 lms) 240v BEAM ANGLES 16, 28, 40, 60-DEG
colour temperature /(suffix)	2700K / 3000K / 4000K; (DIM TO WARM)
CRI (colour render) /(suffix)	83 90+
MacAdam	<3
Controls options /(suffix)	Phase Dimming DALI 0-10v
Optional Accessories	Honeycomb, Elongating lens, Etched glass, Firehood, Fire-disk White internal barrel (Suffix AW)
AV. Weight (kg)	1
Emergency Available?	Yes
Special Notes	Flush plaster frame available to order. Remote 3-hour emergency pack available on request



technical performance

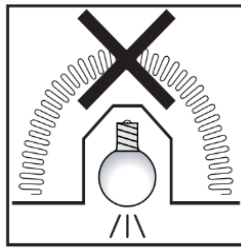
height(m)	Ø(m)	lux levels (ma)
1m	0.281m	1690lx (max)
2m	0.562m	421lx (max)
3m	0.843m	187lx (max)
4m	1.124m	106lx (max)

CITIZEN
contact Detail lighting for all .ies files



TECH NOTES:

Allow minimum free space of 20mm - 25mm above fixture.
For minimum height see above specification sheet.

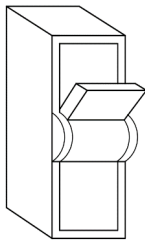


WARNINGS:

Do not cover top of fitting with insulation, as doing so will cause fitting to overheat substantially compromising its life span. Always be aware of any heating or hot water pipes which may cause ambient temperature to exceed 40°C

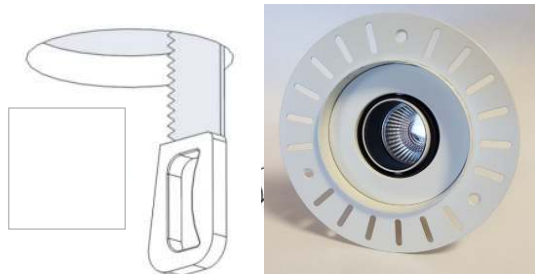
Turn off power!

1



2

CUT DESIRED HOLE, FIX PLASTER-IN RING IF SUPPLIED

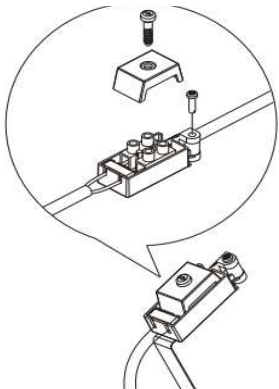


1) Always ensure power is isolated prior to undertaking any electrical work.

2) cut hole in ceiling to size specified for fitting. IF flush fixing frame used, then this is screwed to ceiling now before skimming

3

Make electrical connections as necessary. If light source requires driver pass it through into void at this stage



4

UN-CURL SPRINGS BEFORE OFFERING INTO HOLE



3) make electrical connections as necessary. For fittings with remote driver, pass driver through ring into ceiling void at this time.

4) UN-CURL FIXING SPRINGS AND POSITION INTO CEILING HOLE. For wall washing ensure unit is fitted to allow maximum tilt and ensure adequate clearance to any joists or obstructions.